

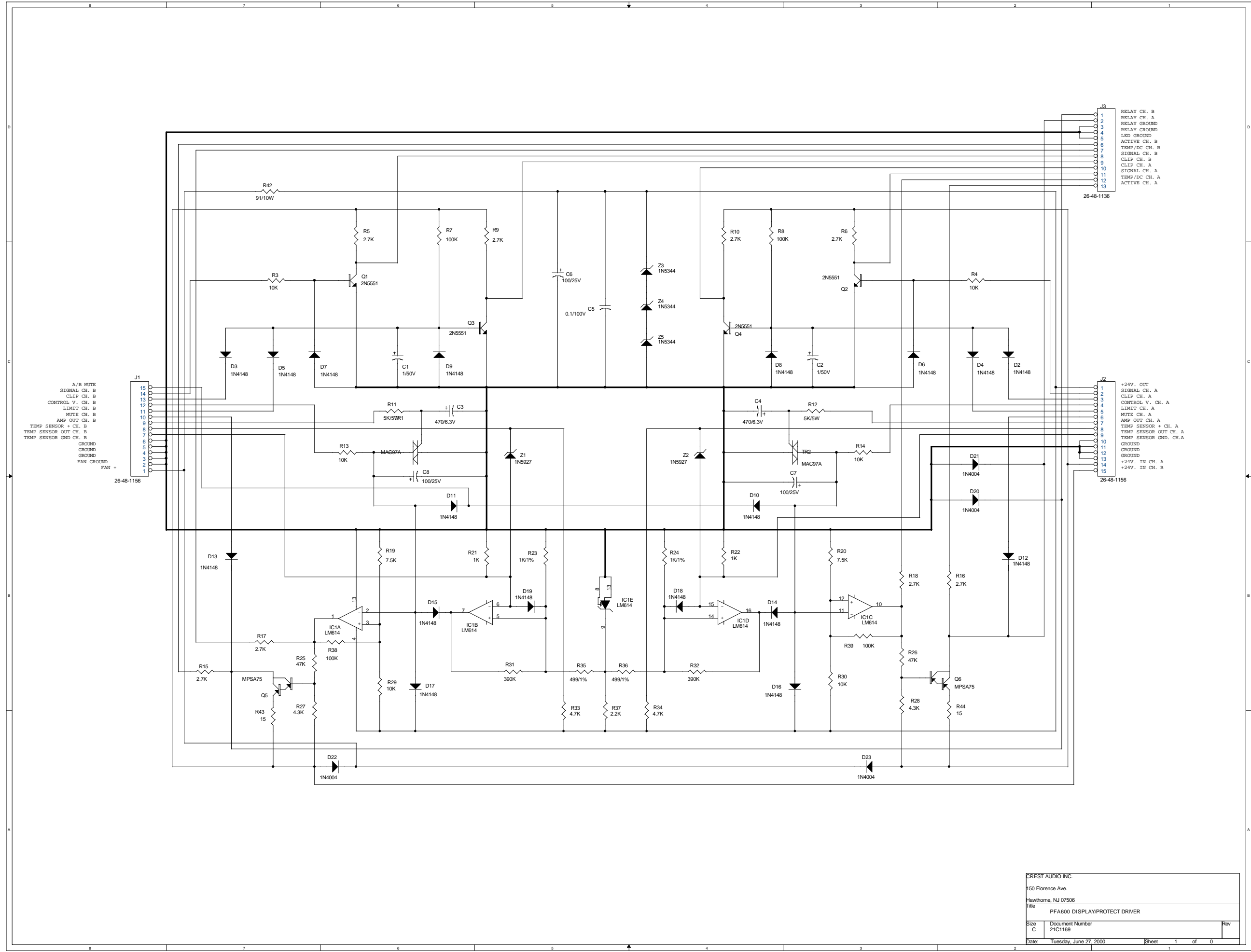


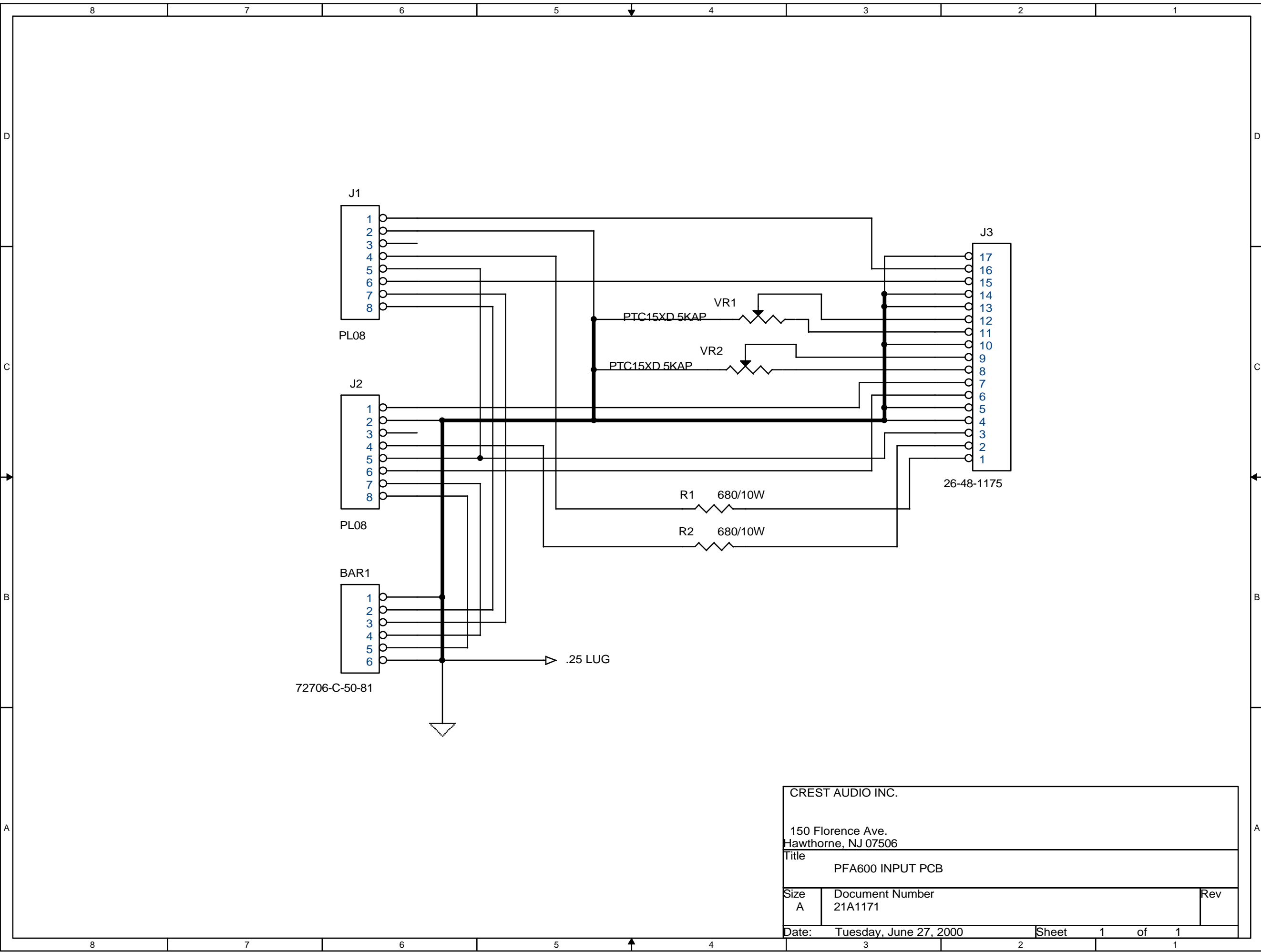
Schematic set

---

## PFA600 Power amplifiers

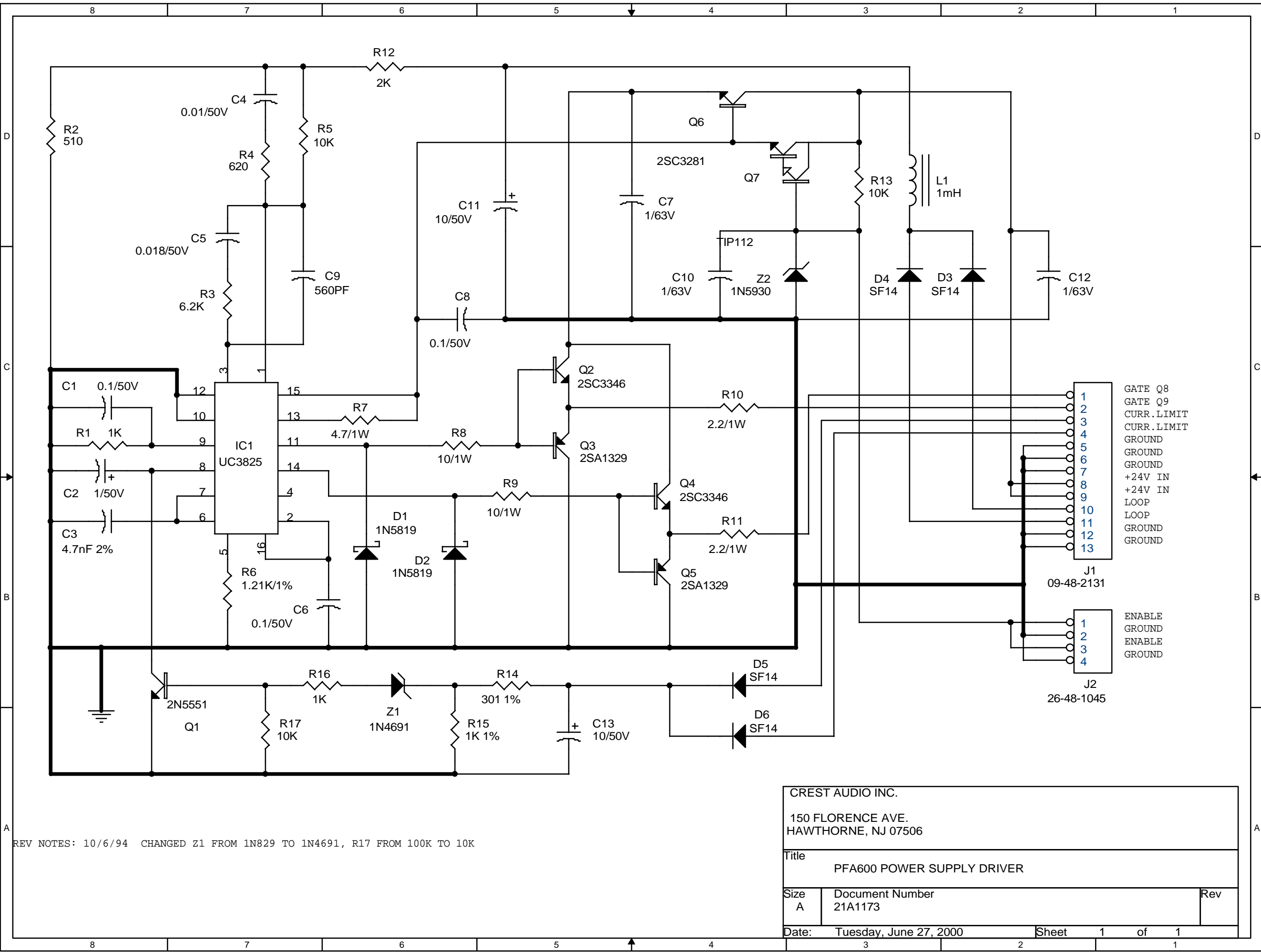
1. Display board
2. Input board
3. Preamp
4. Power supply driver
5. Power supply board
6. Relay board
7. Voltage monitor
8. Output module





CREST AUDIO INC.  
 150 Florence Ave.  
 Hawthorne, NJ 07506  
 Title PFA600 INPUT PCB  
 Size A Document Number 21A1171 Rev  
 Date: Tuesday, June 27, 2000 Sheet 1 of 1





1 GATE Q8  
 2 GATE Q9  
 3 CURR.LIMIT  
 4 CURR.LIMIT  
 5 GROUND  
 6 GROUND  
 7 GROUND  
 8 +24V IN  
 9 +24V IN  
 10 LOOP  
 11 LOOP  
 12 GROUND  
 13 GROUND

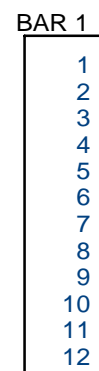
1 ENABLE  
 2 GROUND  
 3 ENABLE  
 4 GROUND

CREST AUDIO INC.  
 150 FLORENCE AVE.  
 HAWTHORNE, NJ 07506  
 Title  
 PFA600 POWER SUPPLY DRIVER  
 Size A Document Number 21A1173 Rev  
 Date: Tuesday, June 27, 2000 Sheet 1 of 1

REV NOTES: 10/6/94 CHANGED Z1 FROM 1N829 TO 1N4691, R17 FROM 100K TO 10K

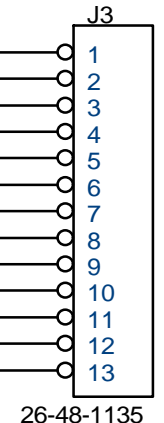
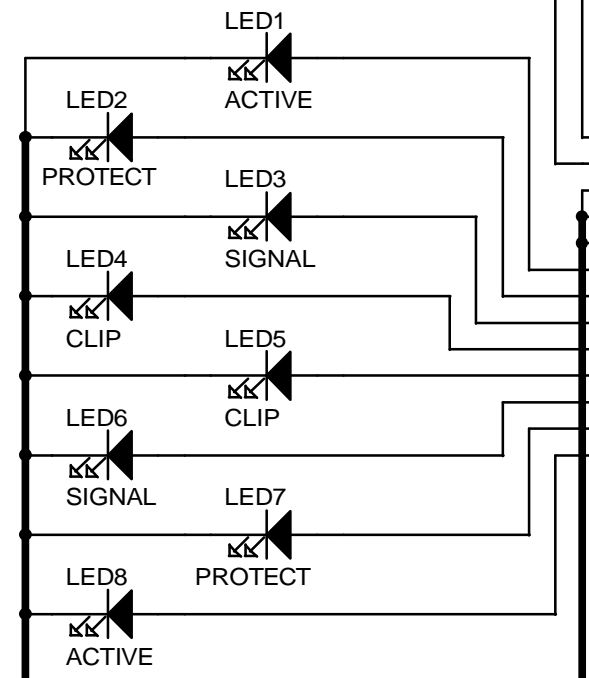
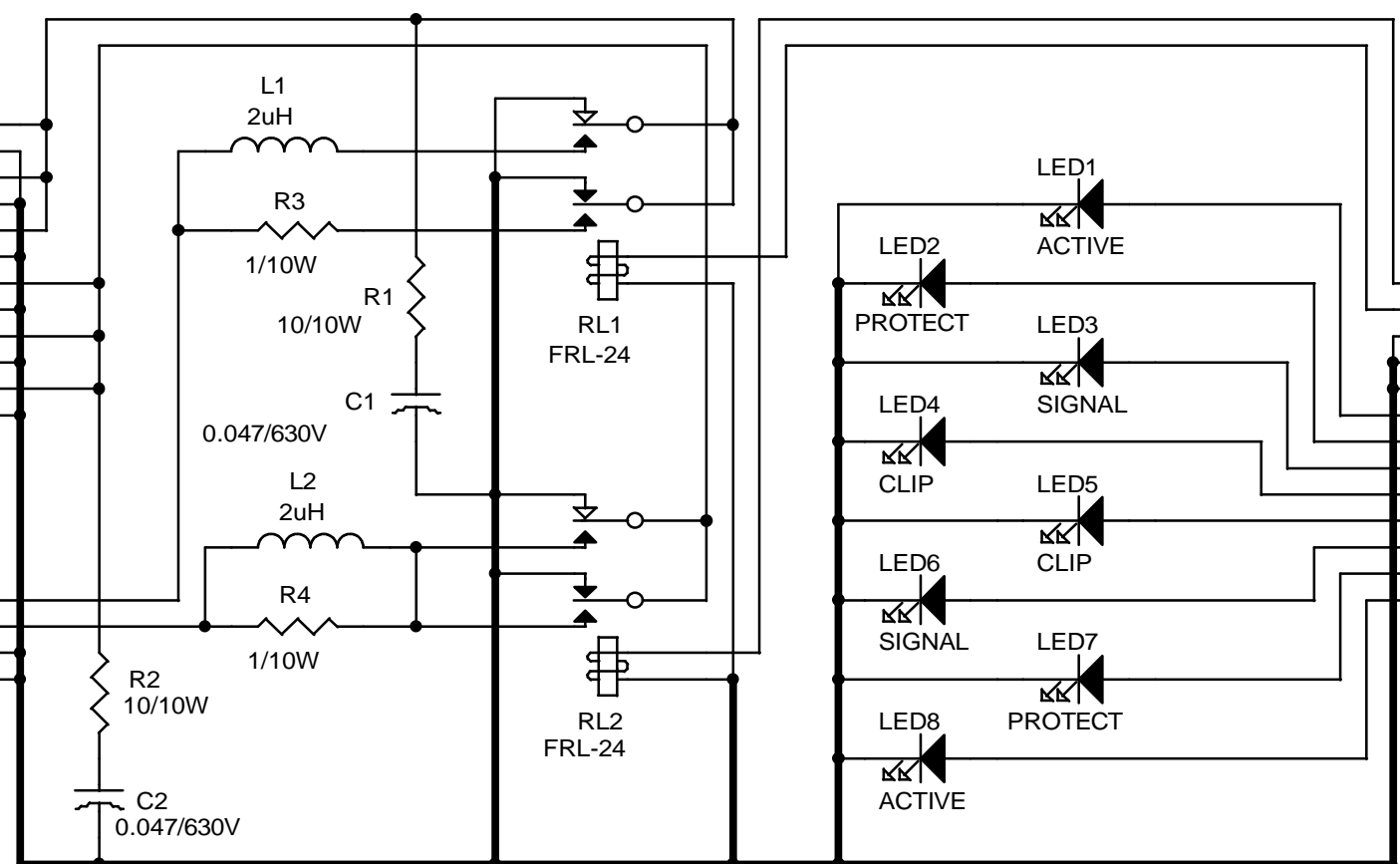


AMP OUT CH. A  
GROUND  
AMP OUT CH. A  
GROUND  
AMP OUT CH. A  
GROUND  
AMP OUT CH. B  
GROUND  
AMP OUT CH. B  
GROUND  
AMP OUT CH. B  
GROUND  
AMP OUT CH. B  
GROUND



72512-50-55-C

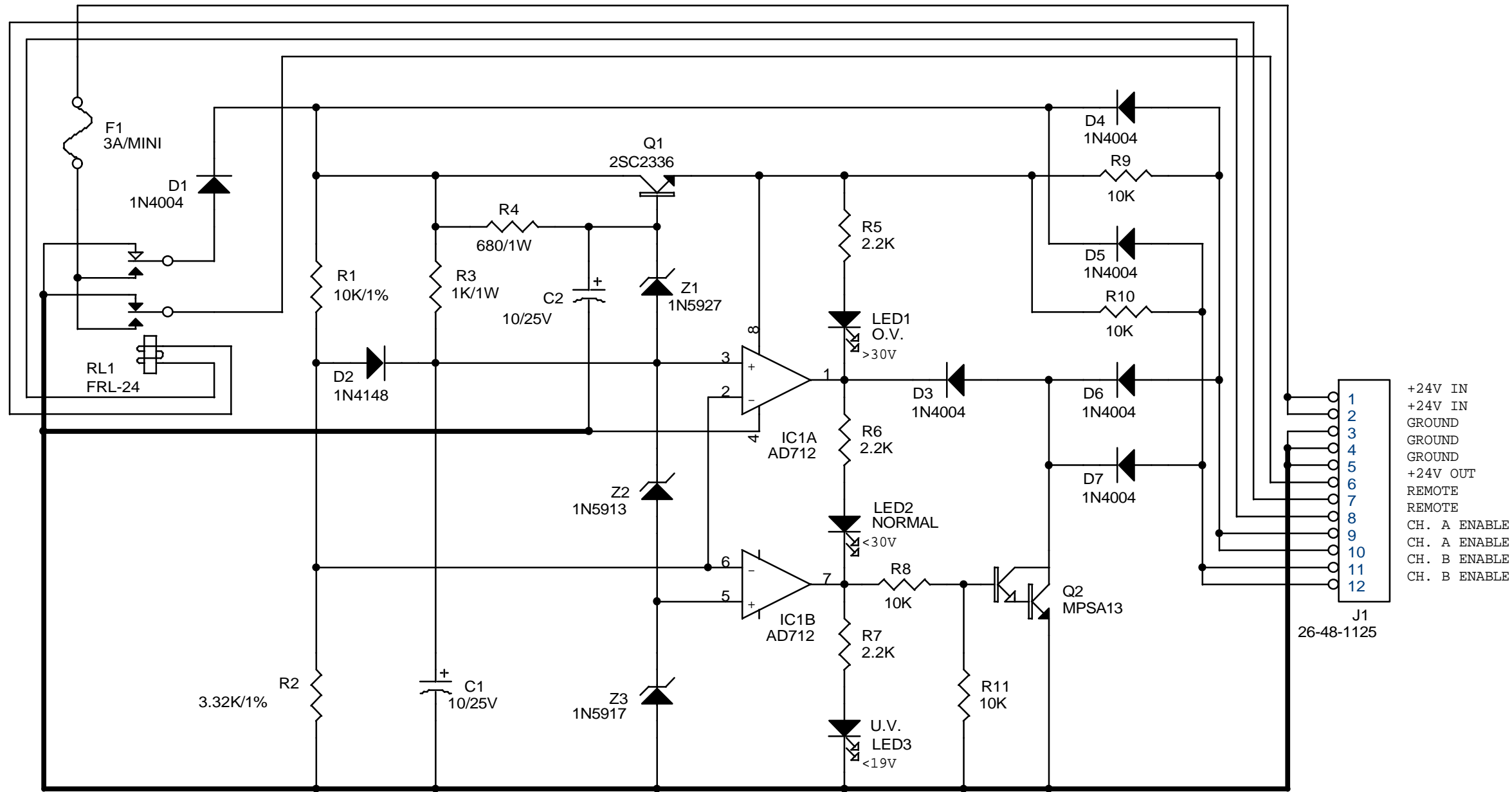
FROM CH. A OUT  
FROM CH. B OUT  
PWR SUPPLY GND  
PWR SUPPLY GND



26-48-1135

RELAY CH. B  
RELAY CH. A  
RELAY GROUND  
RELAY GROUND  
LED GROUND  
ACTIVE CH. A  
TEMP/DC CH. A  
SIGNAL CH. A  
CLIP CH. A  
CLIP CH. B  
SIGNAL CH. B  
TEMP/DC CH. B  
ACTIVE CH. B

CREST AUDIO INC.		
150 Florence Ave. Hawthorne, NJ 07506		
Title PFA600 RELAY/LED PCB		
Size A	Document Number 26A1170	Rev
Date: Tuesday, June 27, 2000	Sheet 0	of 0



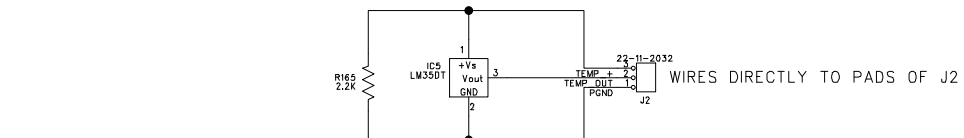
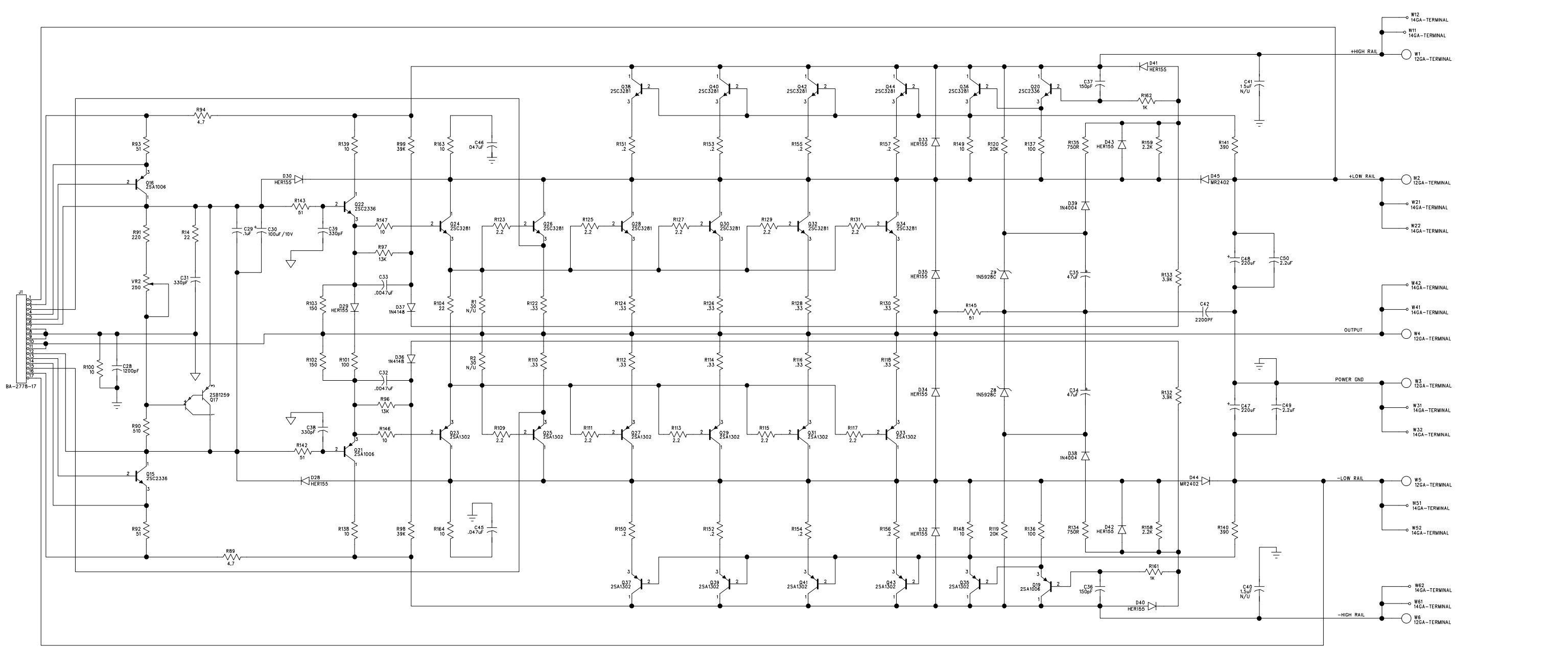
- 1 +24V IN
- 2 +24V IN
- 3 GROUND
- 4 GROUND
- 5 GROUND
- 6 +24V OUT
- 7 REMOTE
- 8 REMOTE
- 9 CH. A ENABLE
- 10 CH. A ENABLE
- 11 CH. B ENABLE
- 12 CH. B ENABLE

NOTE: R8,R11 AND Q2 ARE NOT USED  
 R3 CHANGED FROM 10K TO 1K/1W ON 4/7/92  
 R4 CHANGED FROM 1K/1W TO 680/1W ON 4/7/92

CREST AUDIO INC.		
150 Florence Ave. Hawthorne, NJ 07506		
Title PFA600 VOLTAGE MONITOR/CONTROLLER		
Size A	Document Number 26A1172	Rev
Date: Tuesday, June 27, 2000	Sheet 0	of 0



REVISION RECORD			
LTR	ECO NO:	APPROVED:	DATE:



**CREST AUDIO**

TITLE: **8001/CA12/PFA600 OUTPUT MODULE**

DRAWN: J.A.B.	DATED: 8/15/94	CODE:	SIZE: D	DRAWING NO: 4629-00	REV: 4
CHECKED:	DATED:	SCALE:	SHEET: 1	10F 2	1

RELEASED:	DATED:
QUALITY CONTROL:	DATED:
CHECKED:	DATED: